

## MULTI-ENTRY TRAPPED KEY-OPERATED SAFETY INTERLOCK SWITCH SSD2191 SERIES

### Features

- Robust zinc die cast head assembly with glass fiber reinforced plastic body
- Three solenoids voltages: 24VAC/DC, 120VAC and 240VAC
- Key holding force of 1,000N minimum
- Flexible switching arrangement with up to 3 sets of contact
- 180° rotating head
- Positive opening of NC contacts
- Safety category: PLe/4 equivalent



### Specifications

Operating Speed	0.05mm-1m/sec
Rated Current/Voltage	10A/600V AC (EN60947-5-1) AC15 A300 / DC13 Q300
Holding Force	1,000N min. (770N according to EN ISO 14119)
Contact Resistance	200 mΩ max.
Service Life	Mechanically 1,000,000 (operations) Electrically 150,000 (operations)
Operating Temperature	-10~+55°C (14~131°F)
Protection against electric shock	Class II (double insulation)
Pollution degree	3
Vibration Resistance	10 to 55 Hz, ~.35 mm single amplitude
Shock Resistance	80m/s <sup>2</sup> min.
Dielectric Strength	1500VAC for 1 minute between terminals 2500VAC for 1 minute between terminals and non-current carrying parts
Degree of Protection	IP 65 (IP67 available upon request )
Safety Category	PLe/4 equivalent
Mechanical Reliability B10d	2,500,000 ops
MTTFd	356 years (8 cycles per hour/24hours per day)
Solenoid Coil Characteristic	24V: +10%, -15%, 4W 120VAC: +10%, -15%, 8W 240VAC: +10%, -20%, 9W

### Electrical Ratings

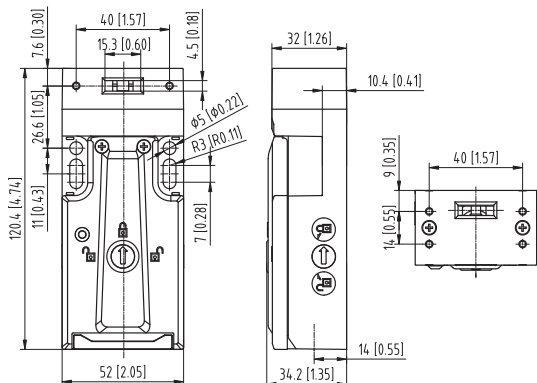
Designation & Utilization Category	IEC 60947-5-1 / EN 90947-5-1					VA rating	
	Rated operational current Ie (A) at rated operational voltage Ue					Make	Break
AC15 A300	120V	240V	380V	480V	600V	7200	720
	6A	3A	1.9A	1.5A	1.2A		
DC13 Q300	125VDC 250VDC					69	69
	0.55	0.27					

### Selection Guide:

SSD2191 - **SL4** - **U** - **24** - **L1** - **A**

<p><b>SL4</b> Contact Configuration (see below)</p>	<p><b>U</b> Locking Type  U: Power to unlock</p>	<p><b>24</b> Solenoid Voltage and Power  24: 20-26VAC 20-28VDC 120: 100-120VAC 240: 200-240VAC</p>	<p><b>L1</b> LED Indicators  None: No LED L1: With LED (12-277V AC/DC)</p>	<p><b>A</b> Conduits  A: 1/2"NPT B: PG13.5 C: M20</p>
---	--	--	--	---

### Dimensions:



### Contact Configuration

Contact Block Code	Lock Monitor Contact	Contact Form Lock Monitor	Travel Diagram
SL4	3NC		
SL6	2NC/1NO		